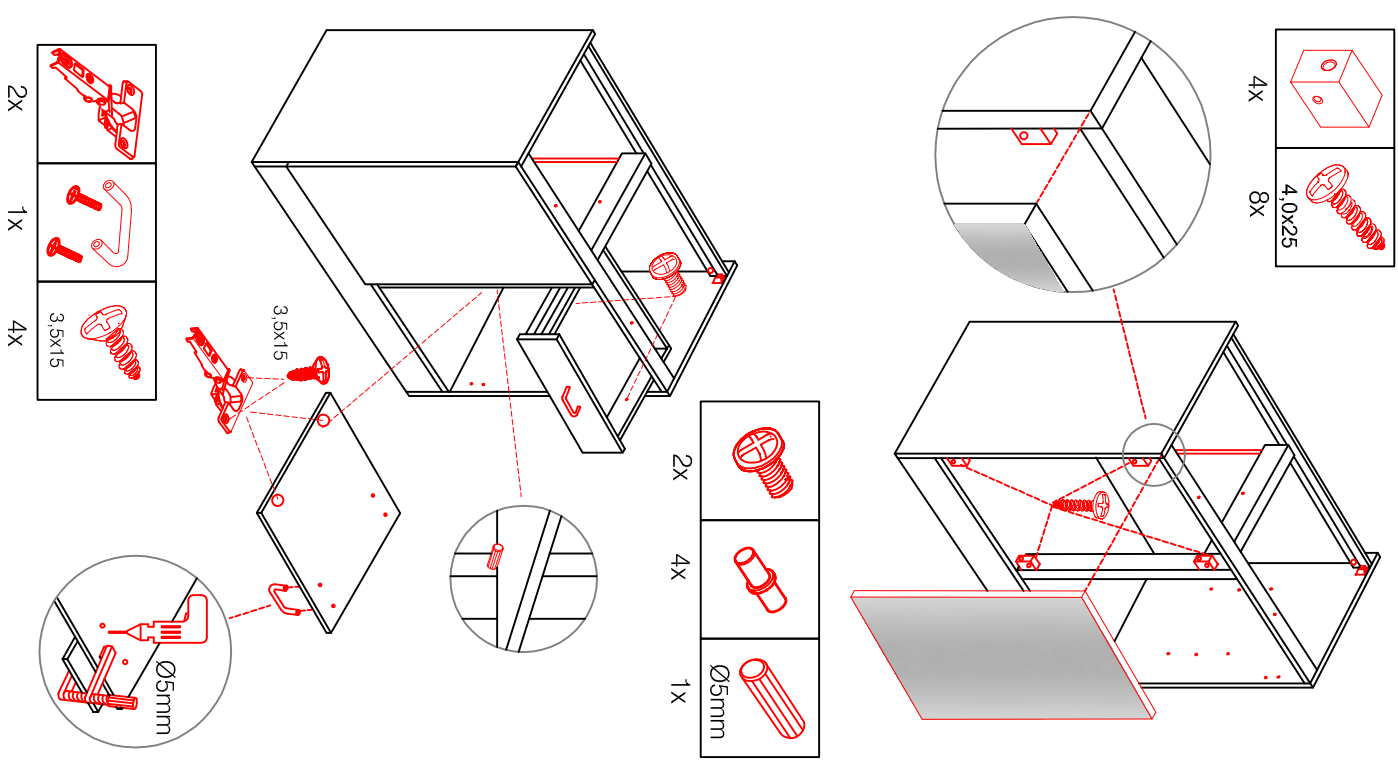
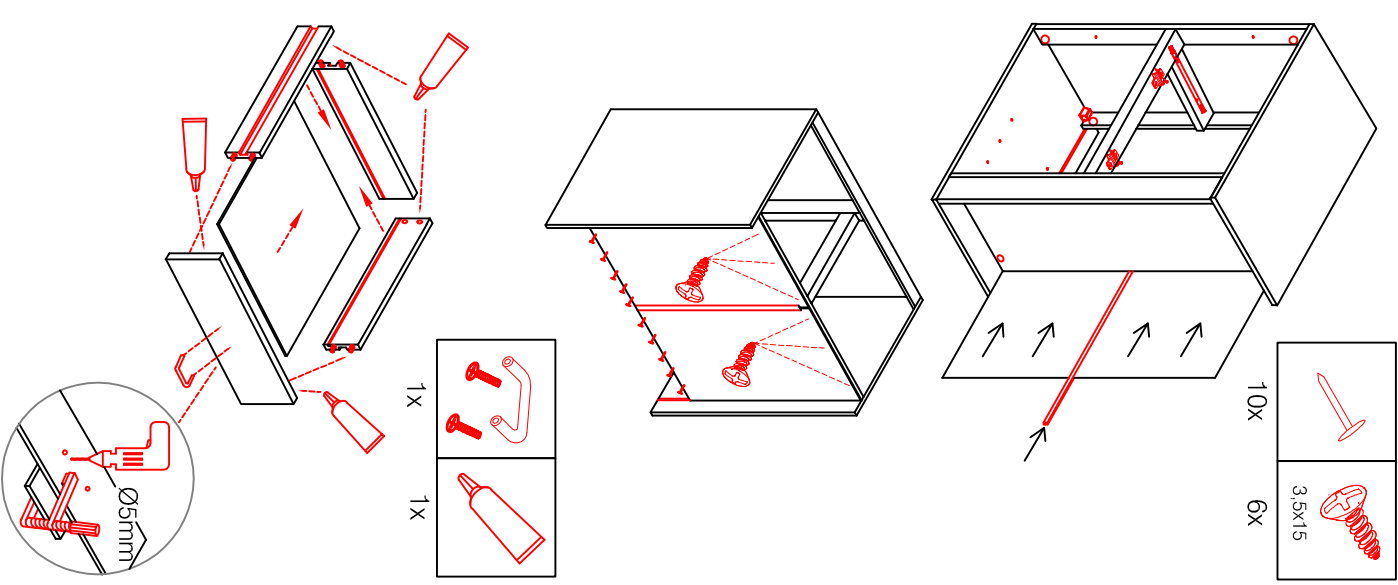
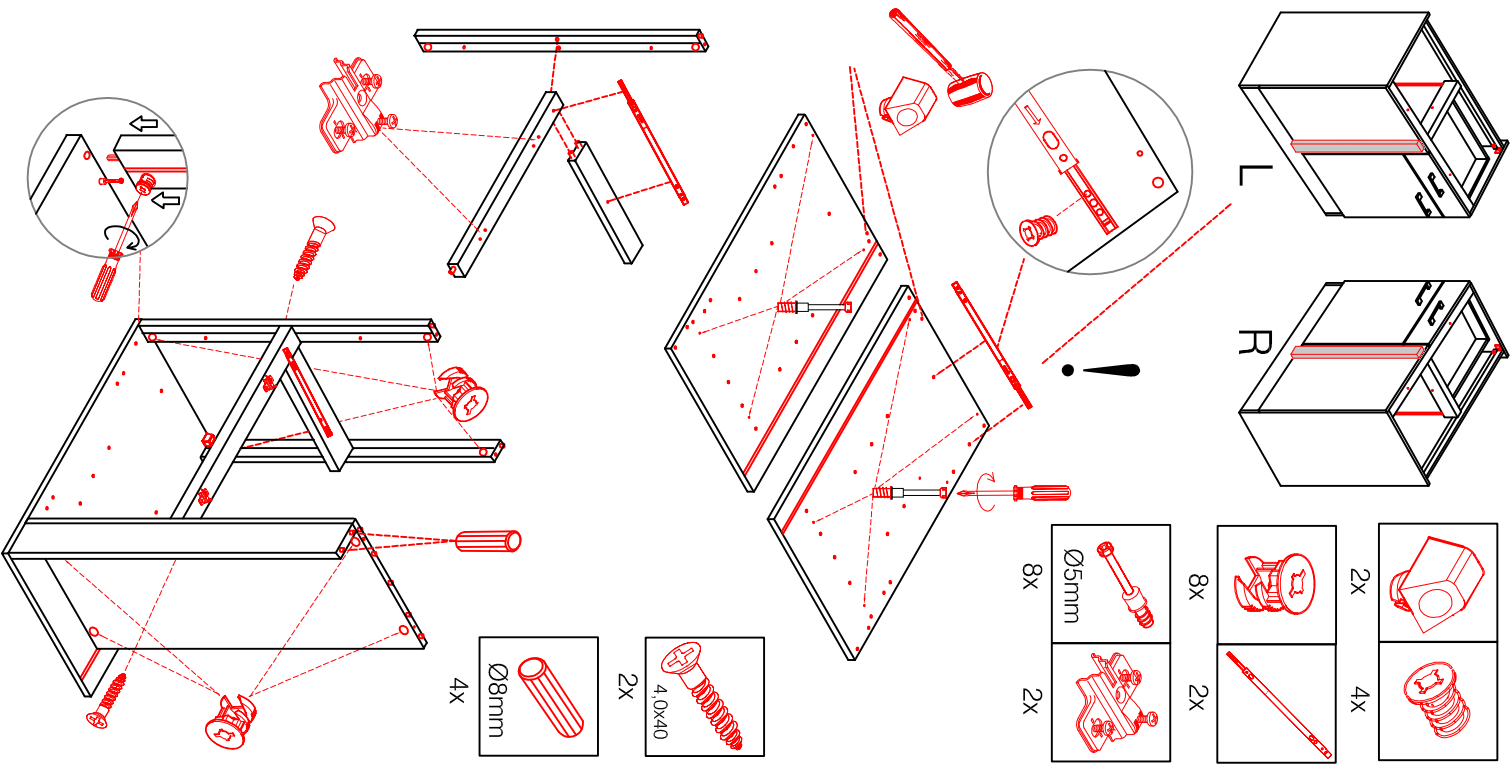


UEBE 110 B-Type Variante

Montageanleitung
Notice de montage
Assembly instruction

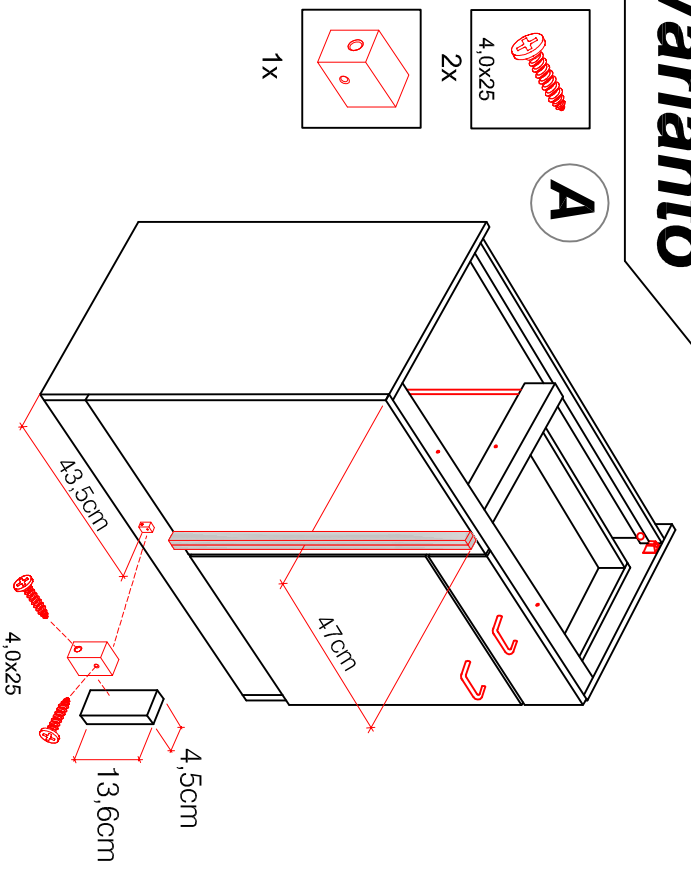


UEBE 110 B-Type

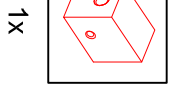
Montageanleitung / Notice de montage / Assembly instruction

Variante

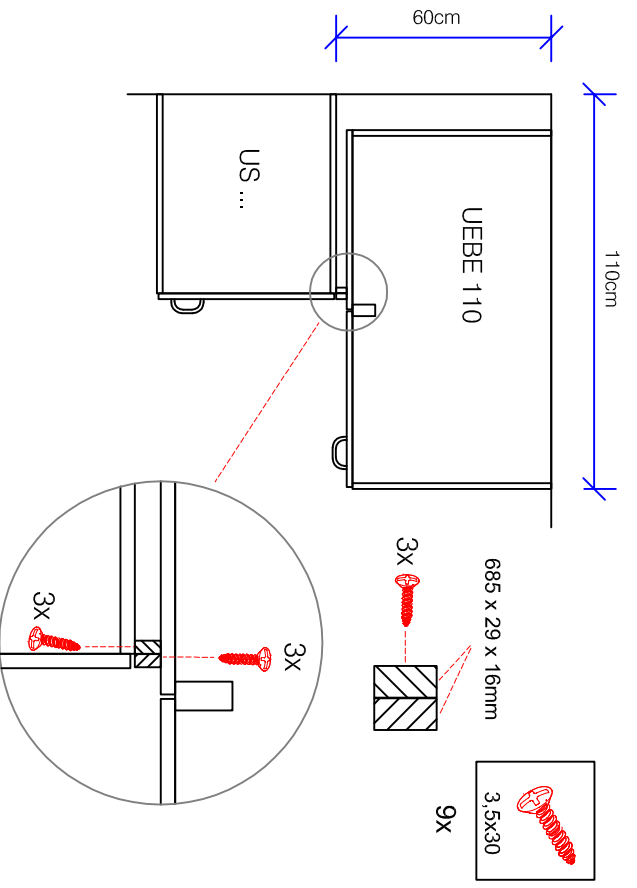
A



- 4.0x25 2x

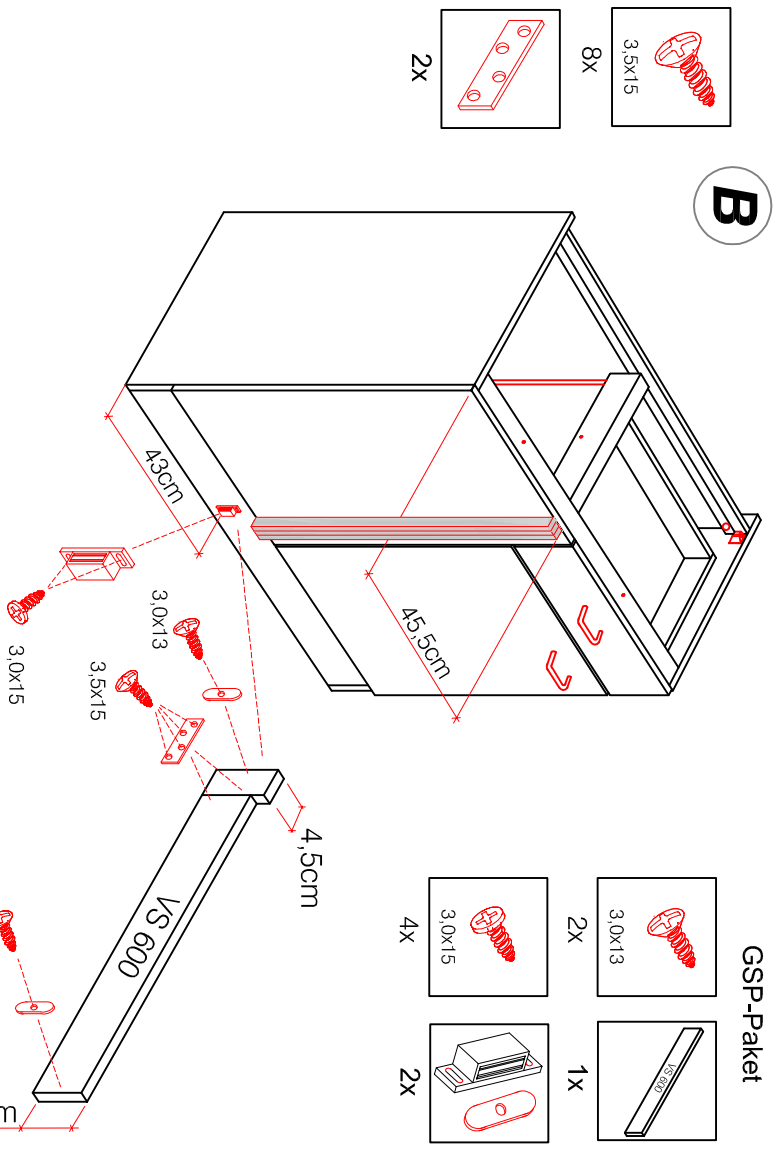


1x

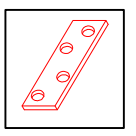


- 3.5x30 9x

B

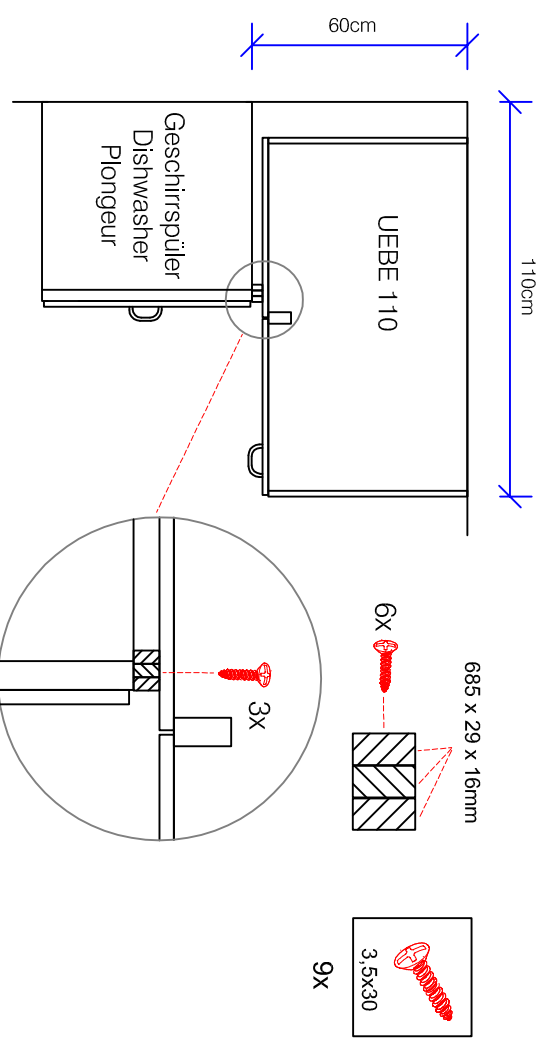


- 3.5x15 8x



2x

- 3.0x13 2x
- 3.0x15 4x
- 3.0x13 1x
- 3.5x15 2x



- 685 x 29 x 16mm
- 3.5x30 9x

GSP-Paket